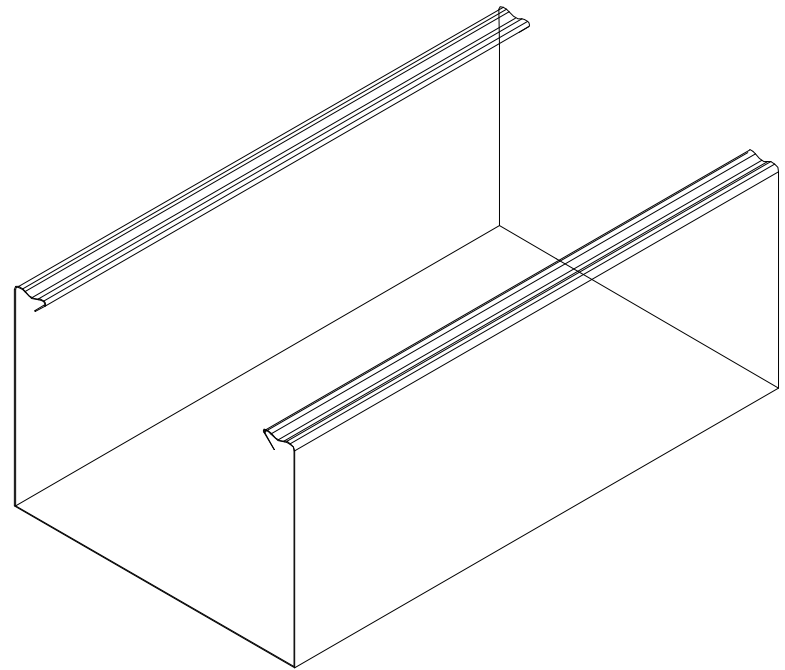


Soffi-Steel® System U-Shield



JG Innovations, Inc.

U-Shield

Drawn By: S.P.S.

**The Soffi-Steel System is protected by
patent number 5,526,617; other patents pending**