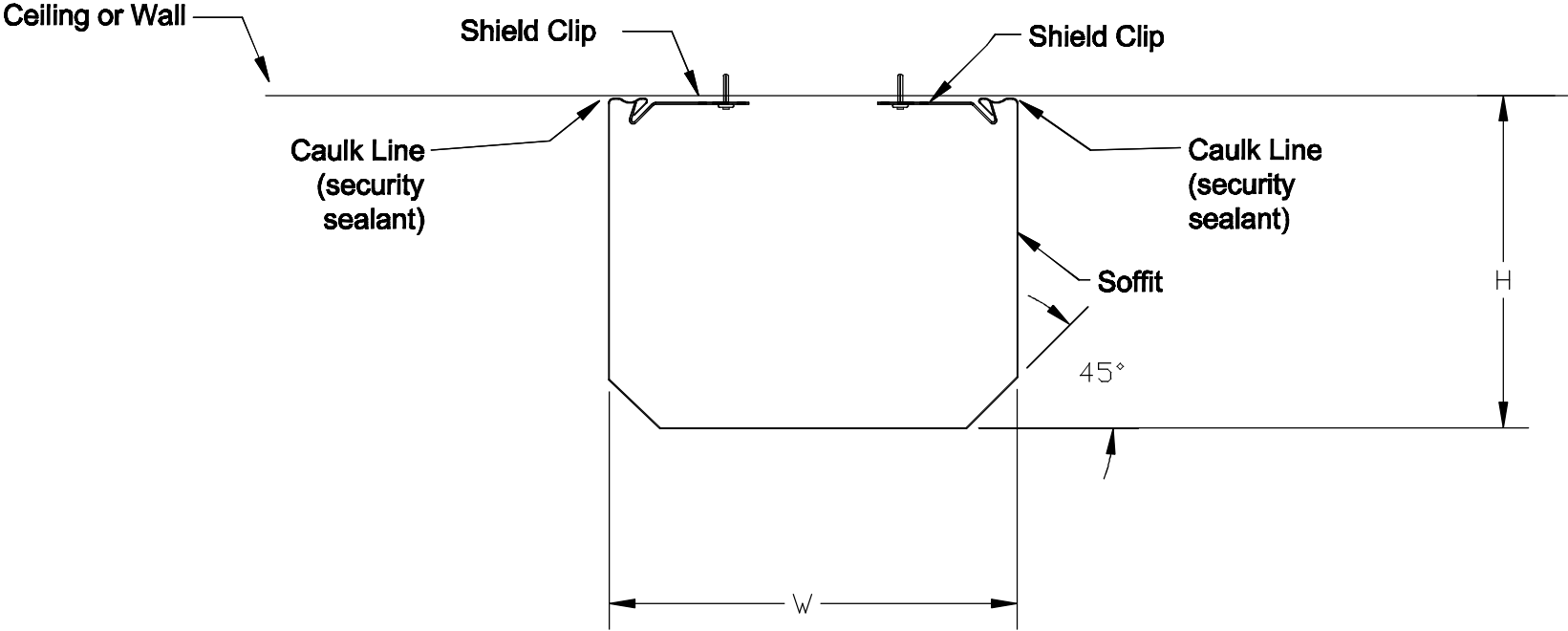


Soffi-Steel® System U-Shield with 45° Soft Edges



JG Innovations, Inc.

U-Shield w/ 45° Soft Edges

Drawn By: SWS N.T.S.

The Soffi-Steel® System is protected by patent number 5,526,617; other patents pending.