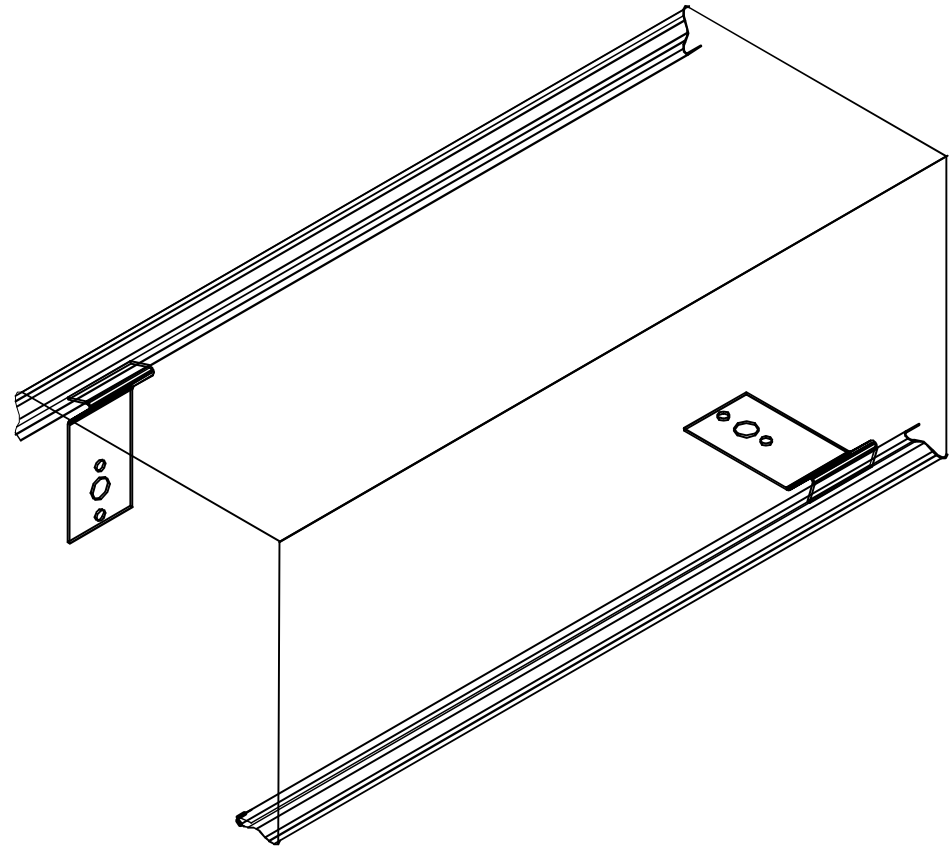
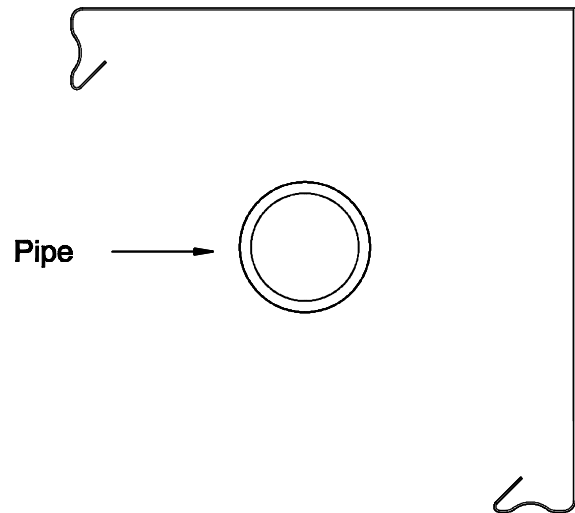


Soffi-Steel® System L-Shield with Shield Clips



JG Innovations, Inc.

L-Shield & Attachment Clips

Drawn By: S.P.S.

The Soffi-Steel System is protected by
patent number 5,526,617; other patents pending.