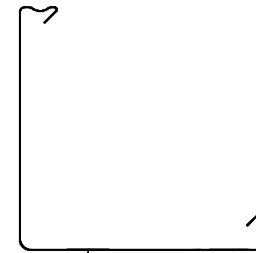
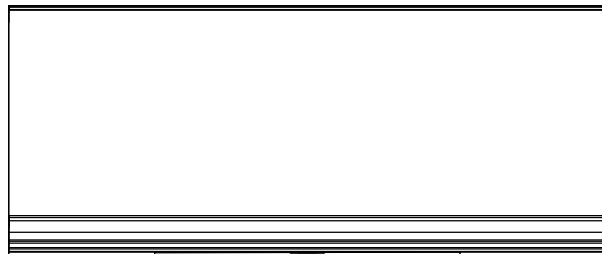
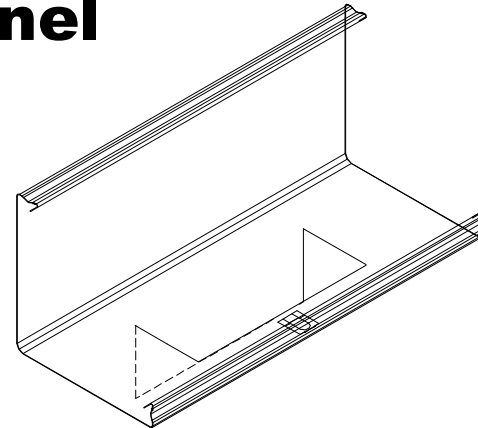
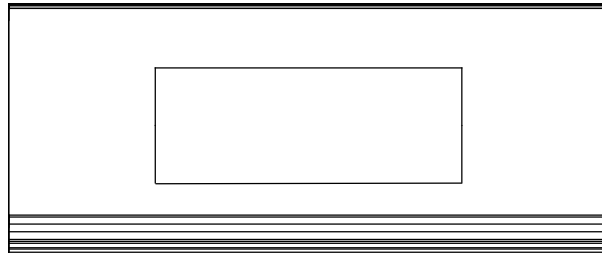


# Soffi-Steel® System L-Shield w/Access Panel



———— = Hinges

JG Innovations, Inc.

Access Panel on L-Shield

Drawn By: S.P.S.

**The Soffi-Steel System is protected by  
patent number 5,526,617; other patents pending.**